

LEERS

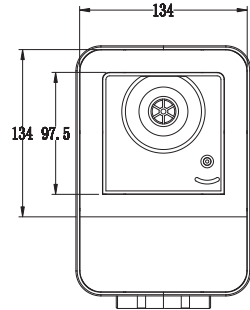
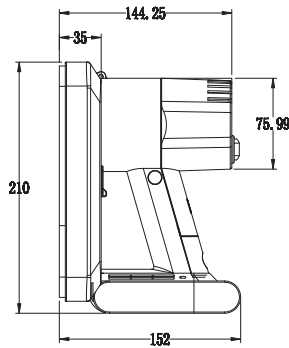
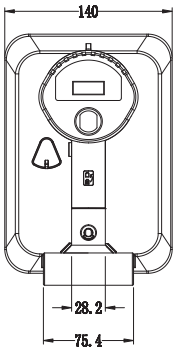


Vacuum module maintenance tool

LED display magnetic front maintenance solution

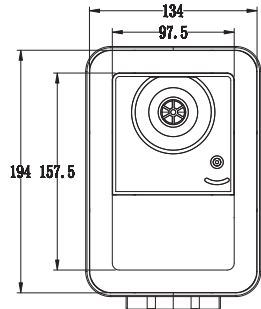
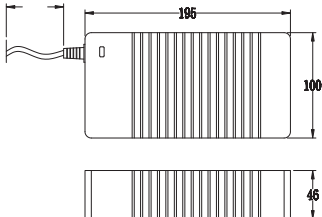
Product Parameters

Model	L1	L1 AC	L2	L2 AC
Sucker Face Dimension	134X134mm		134X194mm	
Available Module Size	134X134 to 192X192mm Size modules		192X192 to 500X500mm Size modules	
Product Dimension	152X140X210mm	L1 152X140X210mm Adapter 195X100X46mm	152X140X210mm	L2 152X140X210mm Adapter 195X100X46mm
Weight	1.17kg	2.69kg	1.17kg	2.69kg
Working Duration	17m	Continuous	17m	Continuous
Working Temperature	3-55°C			



L1

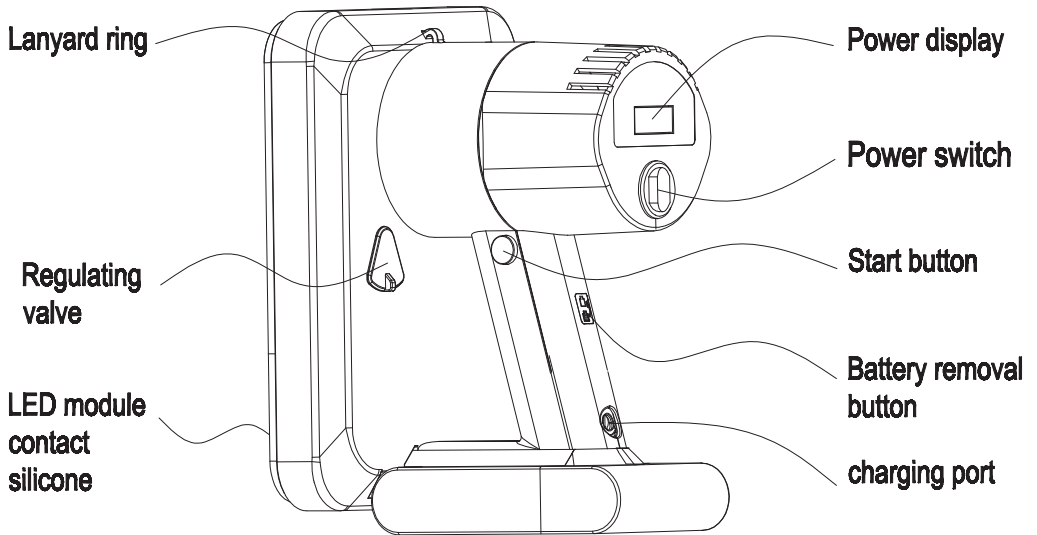
3 meters



L2

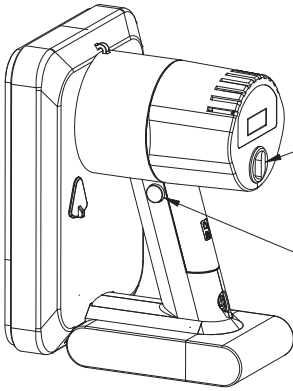
IN:AC100-240V-OUT:DC24V
(L1 AC/L2 AC Use)

Function description



- **Lanyard ring**
It's used to fix the lanyard , and with it more easy to carry during use.
- **Regulating valve**
The rotation of the regulating valve will leak out of the elliptical air inlet hole, and more air intake hole leaks, the suction force will go smaller. The sucker has the largest suction force when the hole is fully covered. This function can be used to adjust the suction force.
- **LED module contact silicone**
Soft silicone contacts with the module surface to protect the lamps.
- **Power display**
This is used to show the battery status. If the power switch is turned on, and no display, it means the battery is empty and need recharge.
- **Power switch**
Power supply main switch.
- **Start button**
Start and pause control of the device, you need to turn on the power switch before use it.
- **Battery removal button**
The battery can be pulled out with pressing the button.
- **Charging port**
Battery charging interface.

Instructions

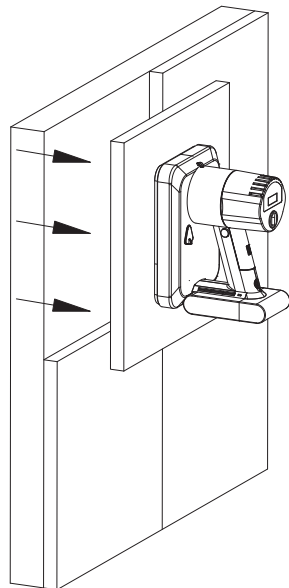
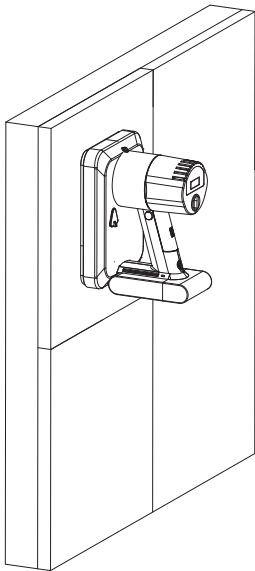


1. Turn on the power switch.

2. Press the start button and the device will starts.

3. Put the device flat onto the surface of the LED module which you want to take off, make sure the device is tightly sucked with the module.

4. Pull out the device and module vertically.

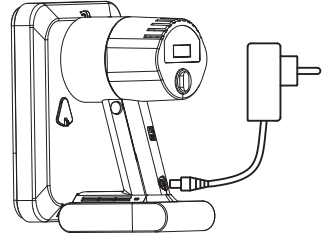


other instructions

Charging instructions

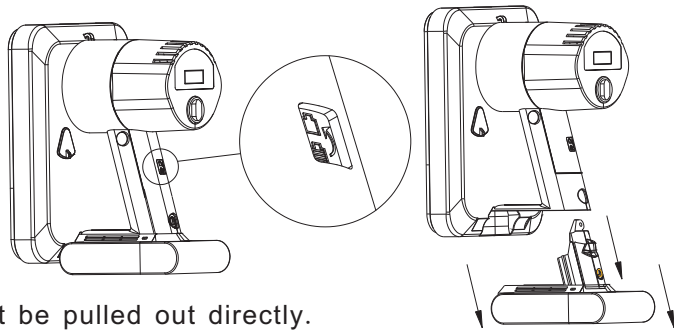
Charger

1. Input AC100–240V 50/60 Hz 0.6A.
2. The charger indicator light red means charging and green means the battery is full.
3. Note: Please use the charger provided by the manufacturer.



Battery replacement

1. Press the battery removal button.
2. Hold the battery tightly, and pull it out.
3. Push the battery that needs to be replaced to the card slot and push it up to the end. After the battery is in place, it cannot be pulled out directly.



Warranty description

1. In addition to the battery, the equipment is repaired free of charge within one year.
2. The battery is a lossy part, it is not covered by the warranty.
3. Man-made damage, dis-assembly, water ingress, drop, charging with a non-configured charger. Will be paid for repairs.


skills

1. If it is a COB module or module with pitch 1.5 mm or less, it is recommended to fully open the regulating valve. Effectively reducing the working pressure of the motor can extend the life of the product.
2. If the motor is hot for a long time use, the equipment can be idling and the electric machine can cool down quickly.
3. When the LED module is repaired, pull it out with a vertical force to avoid the lamp damage.

LEERS

After-sale service

  (+86) 18925203904

 3280781337@qq.com

LED display magnetic front maintenance solution